

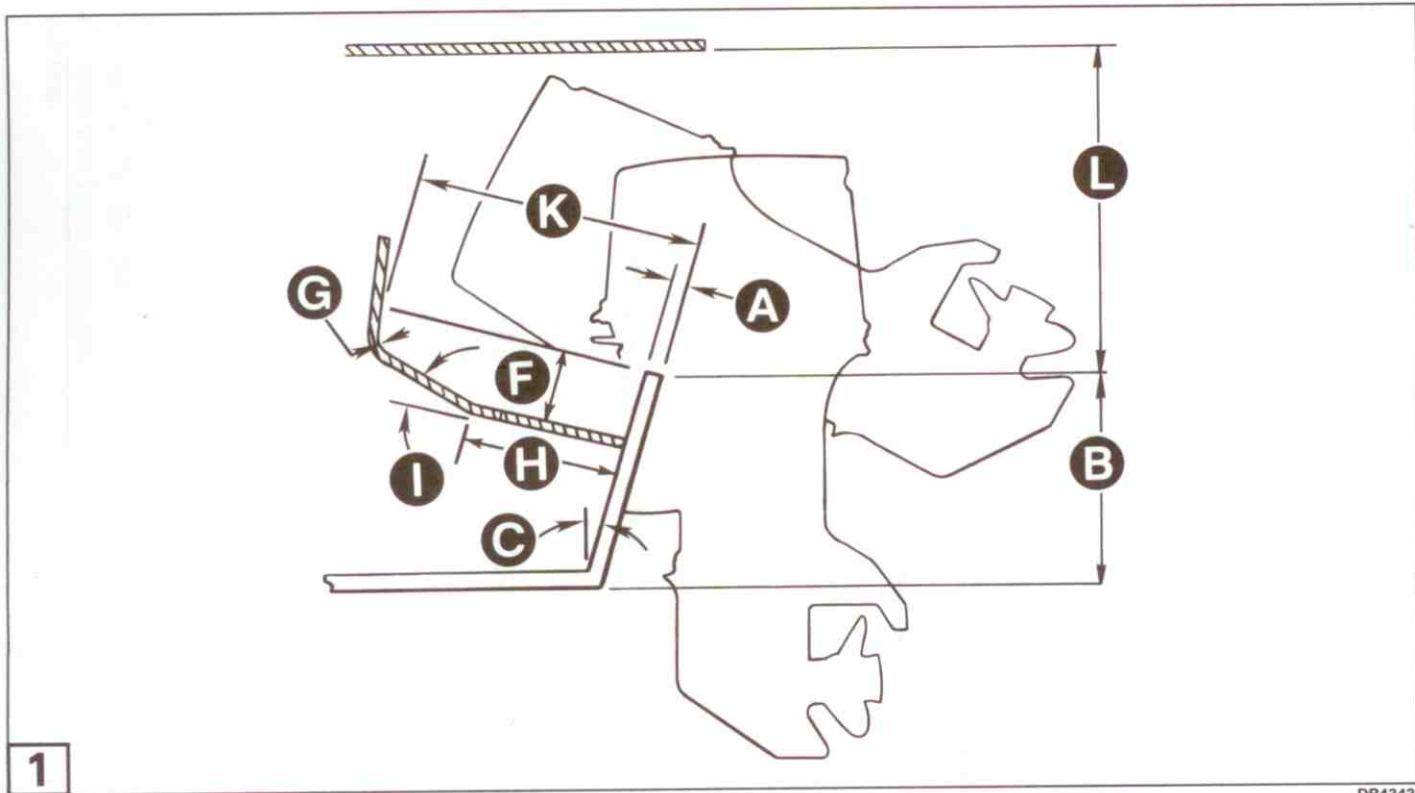
# TRANSOM SPECIFICATIONS CHART

Models	40 thru 2-cyl 50	3-cyl 50 thru 70	85 thru 140	150 thru 225	250 / 300
<b>A</b> TRANSOM THICKNESS ①	1 $\frac{5}{8}$ - 2 $\frac{3}{4}$ (41 - 70)	1 $\frac{5}{8}$ - 2 $\frac{3}{4}$ (41 - 70)	1 $\frac{5}{8}$ - 2 $\frac{3}{4}$ (41 - 70)	1 $\frac{5}{8}$ - 2 $\frac{3}{4}$ (41 - 70)	1 $\frac{5}{8}$ - 2 $\frac{3}{4}$ (41 - 70)
<b>B</b> MIN. TRANSOM HEIGHT ②	14 $\frac{1}{2}$ (368), 19 $\frac{1}{2}$ (495)	19 $\frac{1}{2}$ (495)	19 $\frac{1}{2}$ (495), 24 $\frac{1}{2}$ (622)	19 $\frac{1}{2}$ (495), 24 $\frac{1}{2}$ (622), 29 $\frac{1}{2}$ (749)	19 $\frac{1}{2}$ (495), 24 $\frac{1}{2}$ (622), 29 $\frac{1}{2}$ (749)
<b>C</b> TRANSOM ANGLE	12° - 16°	12° - 16°	12° - 16°	12° - 16°	12° - 16°
<b>D</b> FLAT TRANSOM WIDTH ③	32 $\frac{1}{2}$ (826) min.	32 $\frac{1}{2}$ (826) min.	32 $\frac{1}{2}$ (826) min.	32 $\frac{1}{2}$ (826) min.	32 $\frac{1}{2}$ (826) min.
<b>E</b> MOTOR WELL WIDTH ④	33 (838) min.	33 (838) min.	33 (838) min.	33 (838) min.	38 $\frac{1}{2}$ (978) min.
<b>F</b> MOTOR WELL DEPTH ⑤	6 (152) min.⑥	6 (152) min.⑥	6 (152) min.⑥	6 (152) min.⑥	7 $\frac{1}{2}$ (191) min.⑥
<b>G</b> MOTOR WELL RADIUS	3 (76) min.	3 (76) min.	3 (76) min.	3 (76) min.	3 (76) min.
<b>H</b> MOTOR WELL FLOOR LENGTH	12 (305) min.	12 (305) min.	12 (305) min.	12 (305) min.	15 (381) min.
<b>I</b> MOTOR WELL ANGLE	18° max.	18° max.	18° max.	18° max.	18° max.
<b>J</b> DECK RADIUS	15 (381) max.	15 (381) max.	20 (508) max.	20 (508) max.	20 (508) max.
<b>K</b> MOTOR WELL LENGTH	21 (533) min.	24 (610) min.	30 (762) min.	30 (762) min.	34 (864) min.
<b>L</b> COVER HEIGHT	29 (737) min.	32 $\frac{1}{2}$ (826) min.	32 $\frac{1}{2}$ (826) min.	32 $\frac{1}{2}$ (826) min.	41 (1041) min.

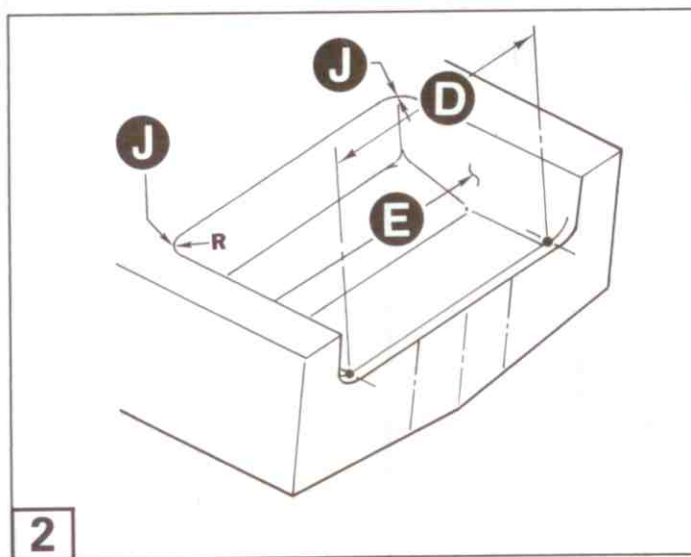
**Note** Dimensions in this chart are in **inches (millimeters)** unless otherwise specified.

XPC0003

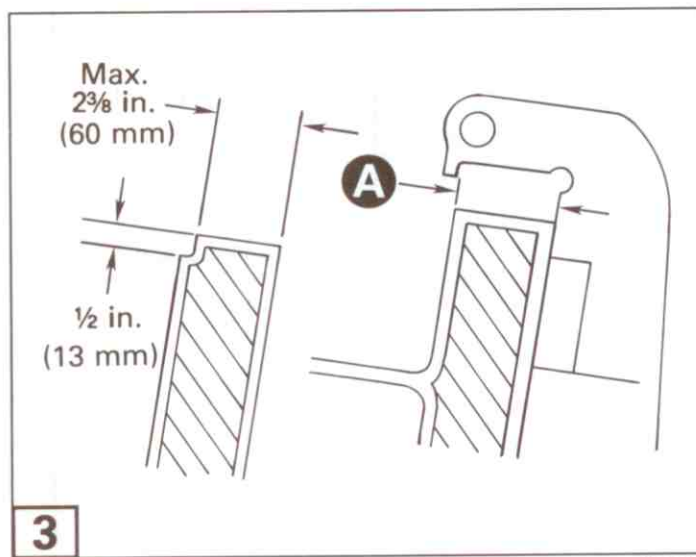
- ① **3** Transoms thicker than 2 $\frac{3}{8}$  in. (60 mm) must be relieved to a maximum thickness of 2 $\frac{3}{8}$  in. (60 mm) down  $\frac{1}{2}$  in. (13 mm) below the top on the inside surface of the transom to accommodate steering components (if stern brackets contact top of transom).
- ② 14 $\frac{1}{2}$  in. (368 mm) minimum for 15 in. models, 19 $\frac{1}{2}$  in. (495 mm) minimum for 20 in. models, 24 $\frac{1}{2}$  in. (622 mm) minimum for 25 in. models, 29 $\frac{1}{2}$  in. (749 mm) minimum for 30 in. models. Some boats have substantially higher transoms – mount some motors substantially higher to achieve best performance.
- ③ Transom widths for push/pull cable steering: Transom top surface should be flat for at least 32 $\frac{1}{2}$  in. (826 mm) for one motor. For twin motors, add 32  $\frac{1}{2}$  in. (826 mm) to the motor centerline dimension.
- ④ Motor well width for one motor. For twin motors, add single motor well width to the motor centerline dimension.
- ⑤ Tiller steering models – minimum motor well depth: 40 Rope, 45/55 Commercial – 6 $\frac{1}{2}$  in. (165 mm); 40TE, 40TTL, 50TE – 6 $\frac{5}{8}$  in. (168 mm); 60TTL, 65RS, 70TTL, 85TTL – 6 $\frac{3}{4}$  in. (171 mm); 125RW – 9 $\frac{3}{4}$  in. (248 mm)
- ⑥ For remote steering models.



DR4343



DR3382



DR5553